

7" VLF System c/w Exclusion Sensor (2Ant) 3-1 CXs-U0019-00

For Packaging

Box-BOE16
(610x450x30) DWB
Printed



Stock Code:
SS00306

Power Cable
5 Core 10m Power Cable

Stock Code:
CWS0115

Power Supply

Stock Code:
CXS-00001-CD

Pedestrian Sensor Terminated

Stock Code:
VLF-00001-03

Exclusion Sensor

Stock Code:
ANT-00025

TMM Sensor
4GHz Dual

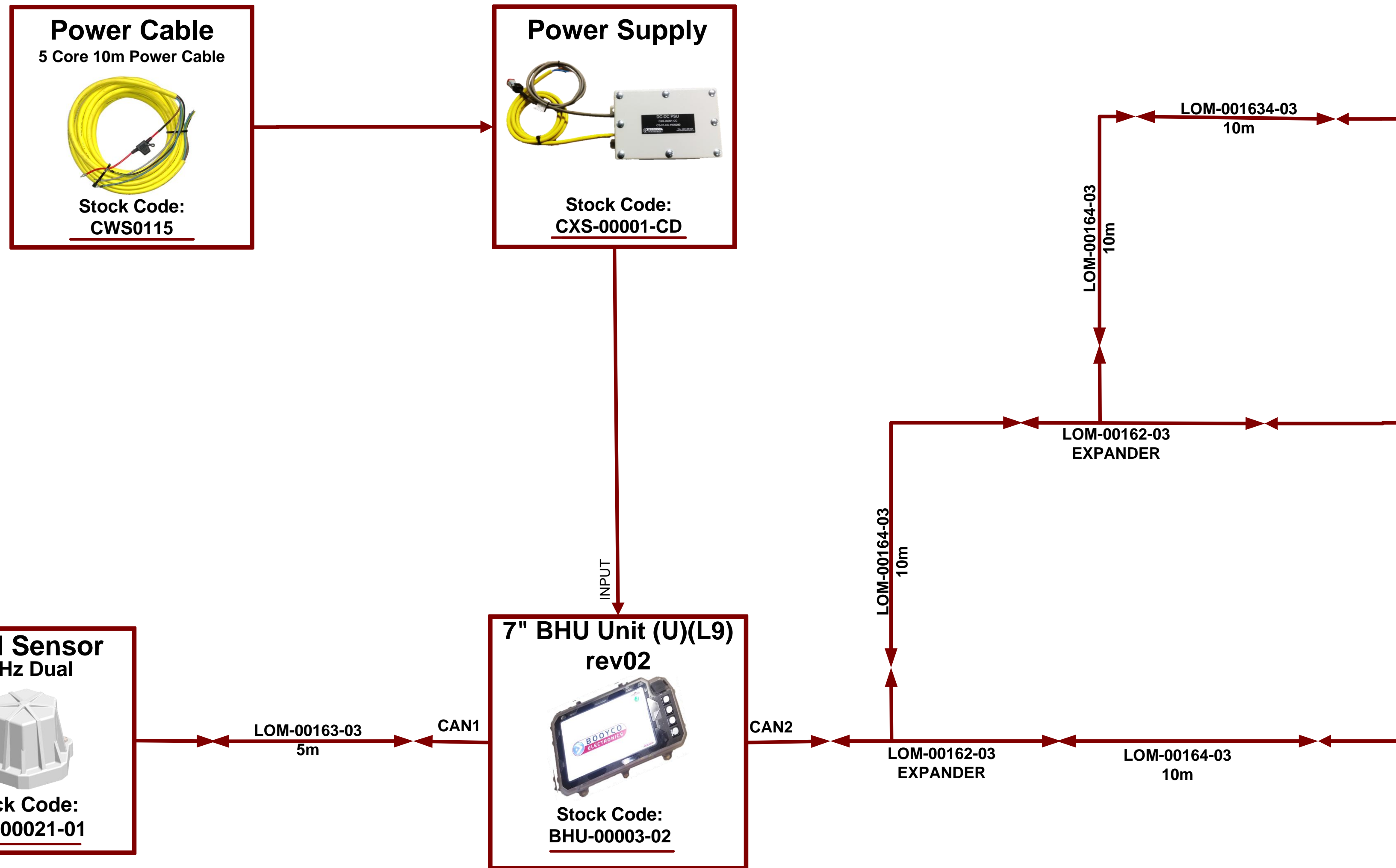
Stock Code:
ANT-00021-01

7" BHU Unit (U)(L9) rev02

Stock Code:
BHU-00003-02

Pedestrian Sensor UnTerminated

Stock Code:
VLF-00001-03



Revision Control		
Rev No:	Description of Revision:	Date:
2	Added Unterminated VLF & Revise cable QTYs	13/06/2022
3	Added Nitrile Specs Cables	2023/01/09
4	Updated BHU-00003-01 to BHU-00003-02, VLF-00001-01 to VLF-00001-03	2023/10/30

TEL: 0861 BOOYCO (266926) FAX: 086 650 0977
www.booyco-electronics.co.za

UNLESS OTHERWISE SPECIFIED: DIMENSIONS ARE IN MILLIMETERS

THIS DRAWING IS THE PROPERTY OF BOOYCO. IT MAY NOT BE DISTRIBUTED OR COPIED WITHOUT WRITTEN CONSENT OF BOOYCO

DRAWN BY: Steven Viljoen	DRAWN DATE: 11/05/2021	APPROVED BY:
REVISED BY: Themba Malambe	REVISED DATE: 2023/10/30	REVISED APPROVED BY:
TITLE: 7" VLF System c/w Exclusion Sensor (2Ant) 3-1		DRAWING NUMBER: BE.CXS-U00019-00.DWG.026.04
		REVISION NUMBER: (Rev.04)